

DS215MG V3.0



Operation Voltage: DC6.0V- 7.4V

Torque: 3.1Kg.cm@6.0V

3.7Kg.cm@7.4V

Torque: 0.06sec/60°@6.0V

0.05sec/60°@7.4V

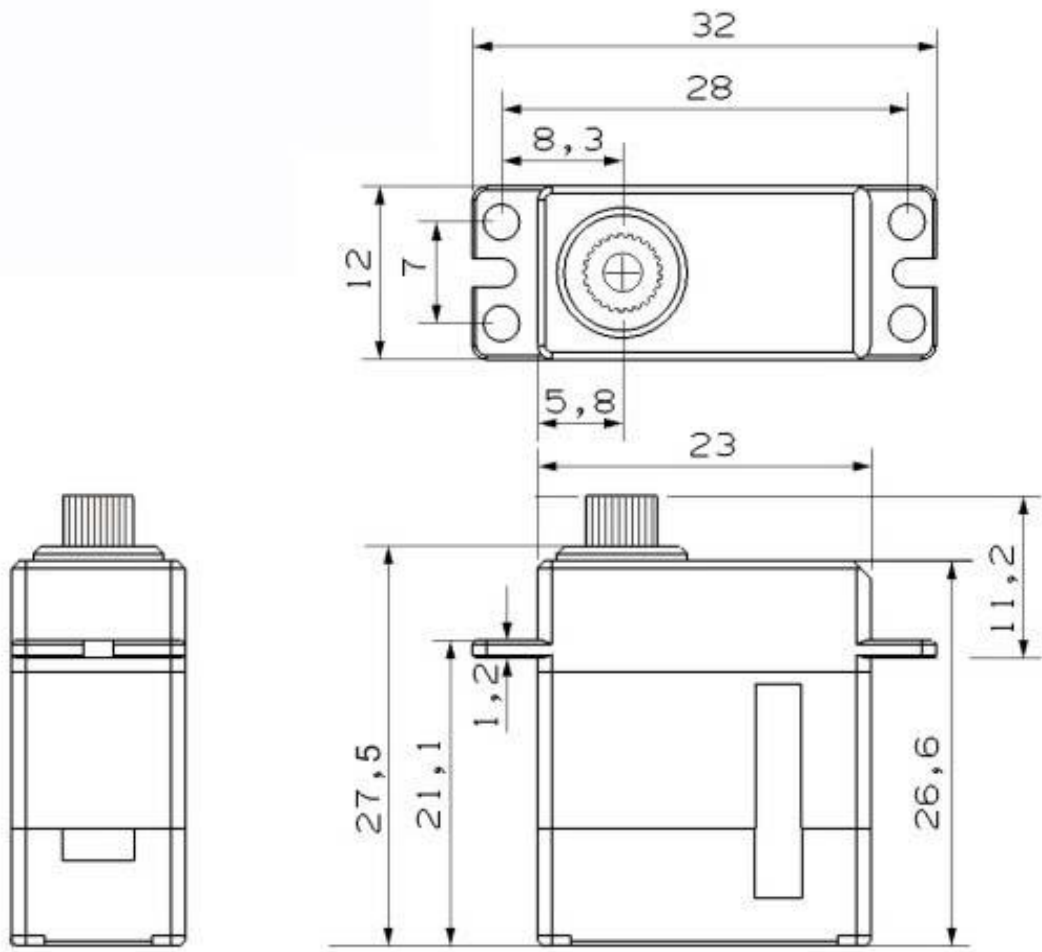
Size:23*12*27.5mm

Working Frequence: 1520us/333Hz 800us-2200us

Weight:20g

Motor: Coreless

Ball Bearing:2BB



	齿数	25T
	压力角	60°
	齿外径	φ 4.95
	齿底径	φ 4.5