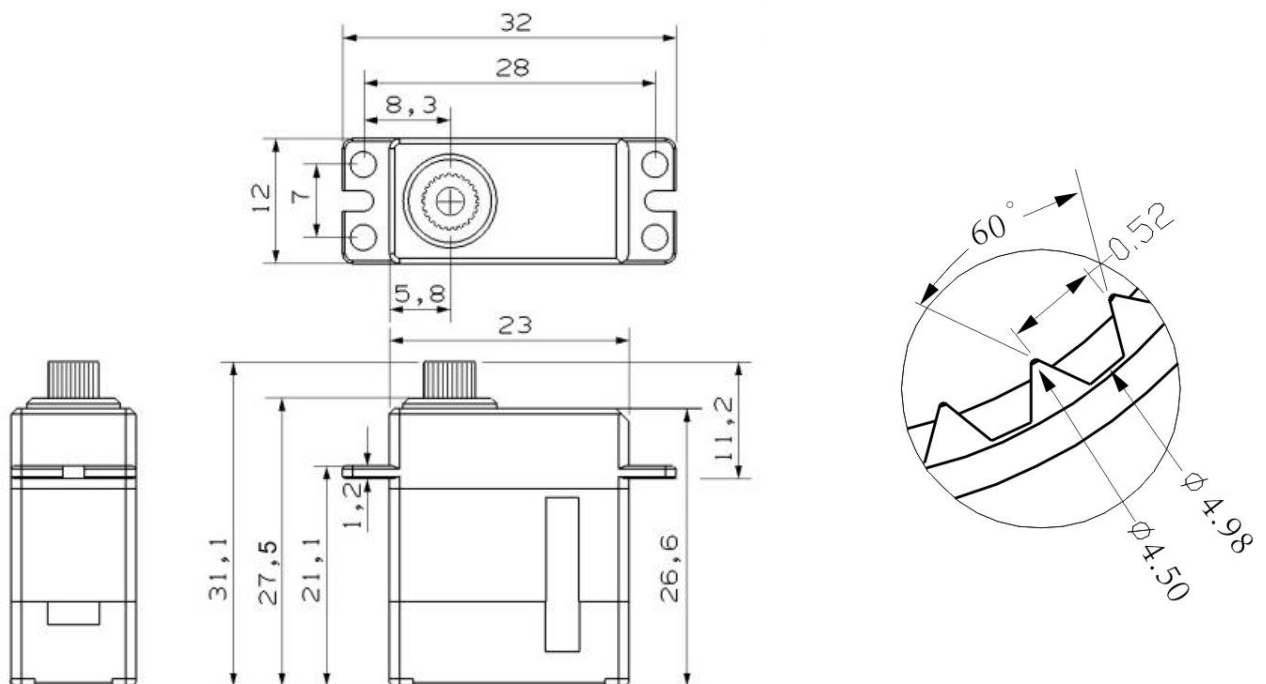




X12-508

Technical Specification





Operating Data

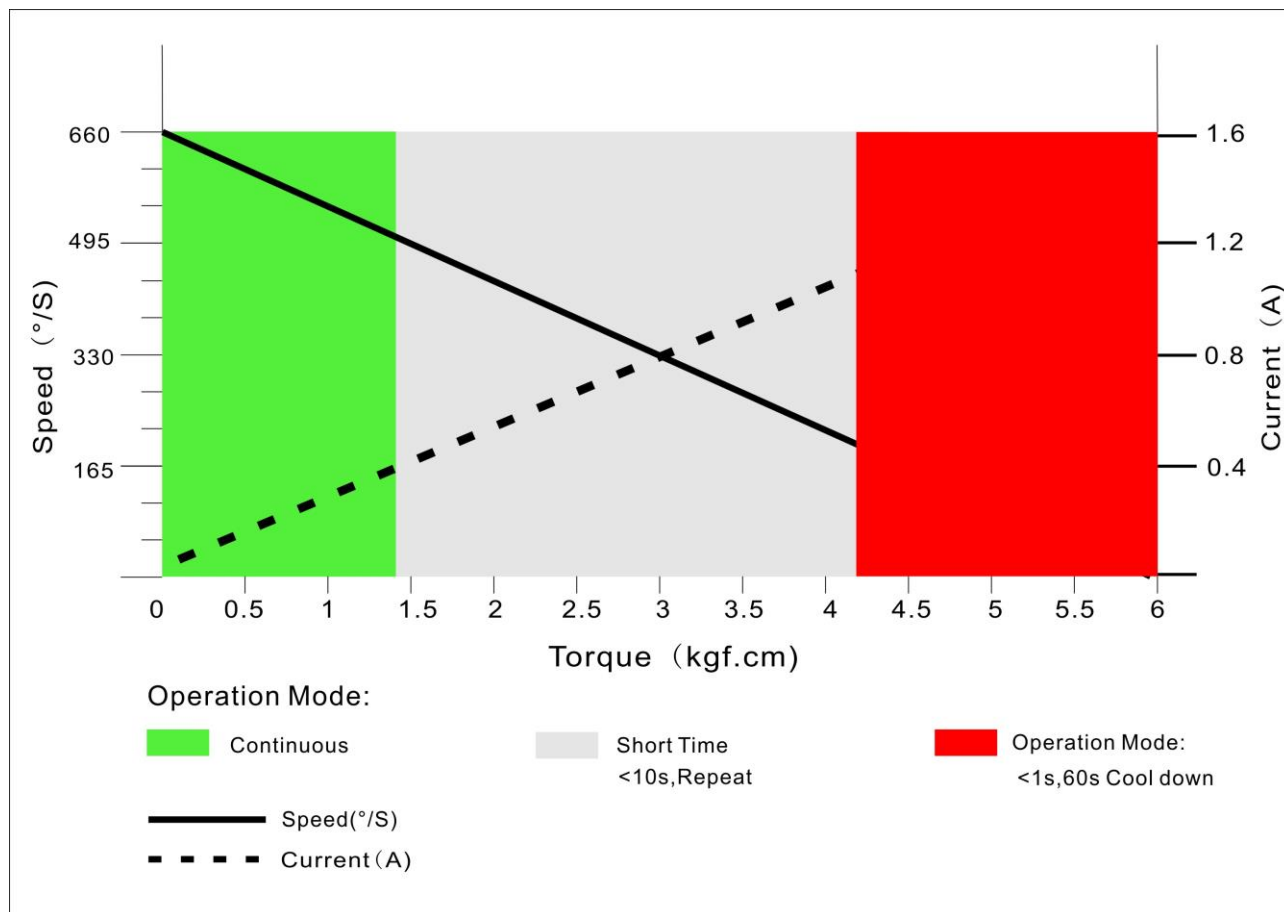
	X12-508
Operation Voltage(rated)	DC7.4V
Operation Voltage Range	DC4.8V-8.4V
Torque	4.2Kg.cm@6.0V
	5.2Kg.cm@7.4V
	6.20Kg.cm@8.4V
Speed	0.09sec/60 °@6.0V
	0.08sec/60 °@7.4V
	0.07sec/60 °@8.4V
Travel Angle	±50° when 1000-2000us
Operating Temperature Range	-20℃……+65℃

KST[®]

Performance

X12-508

@6.0V





PWM Command Signal

PWM	X12-508
Signal Voltage	TTL-Level: HIGH:min.3.3V,max.5.0V TTL-Level: Low:min.0.0V,max.1.5V
Pulse Lengths	900-2100us
Pulse Lengths for Position -50° /center/ $+50^{\circ}$	1000us/1500us/2000us
Resolution	<2us

Materials and protective features

Case Material	Aluminum Alloy
Salt Water Resistance	
EMI/RFI Shielding	
Motor Type	Coreless
Gear Set Material	Hardened Steel
Position Sensor	Potionmeter
Position Feedback	Optional
Shielded Connecting Cable	26AWG

Dimensions

Case Dimensions	23*12*27.5mm
Weight	20g