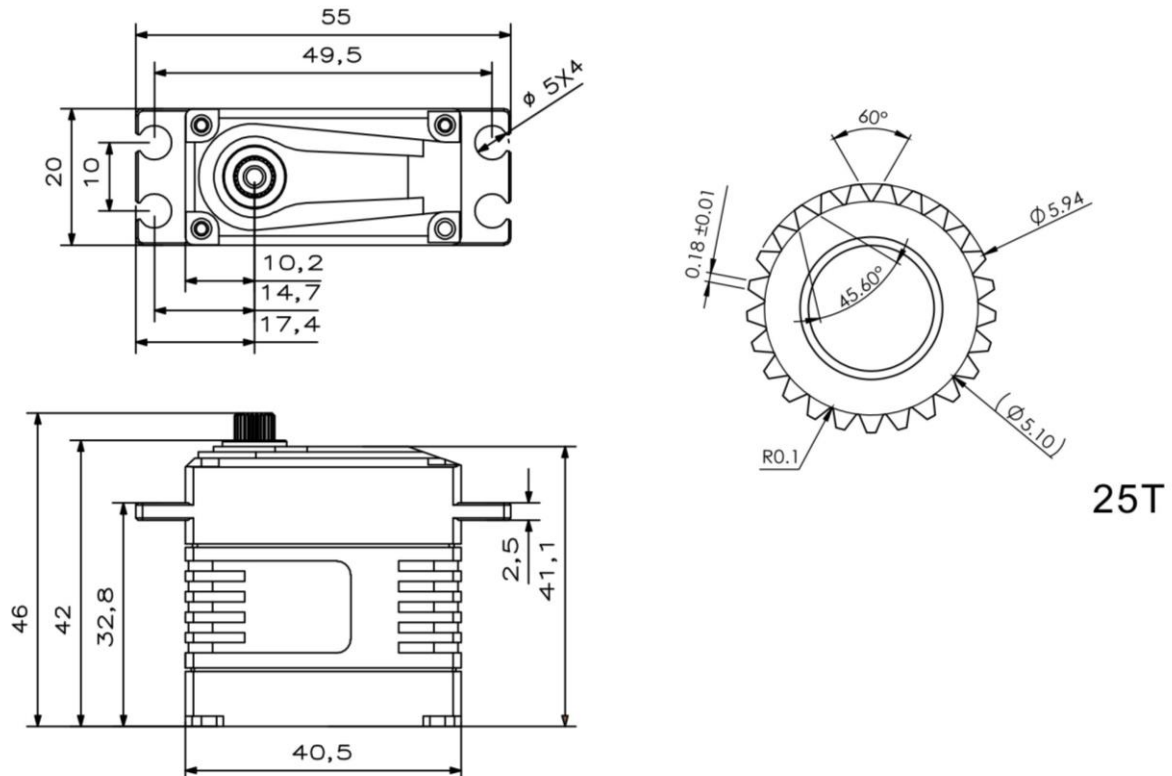


## A20-4515

### Technical Specification

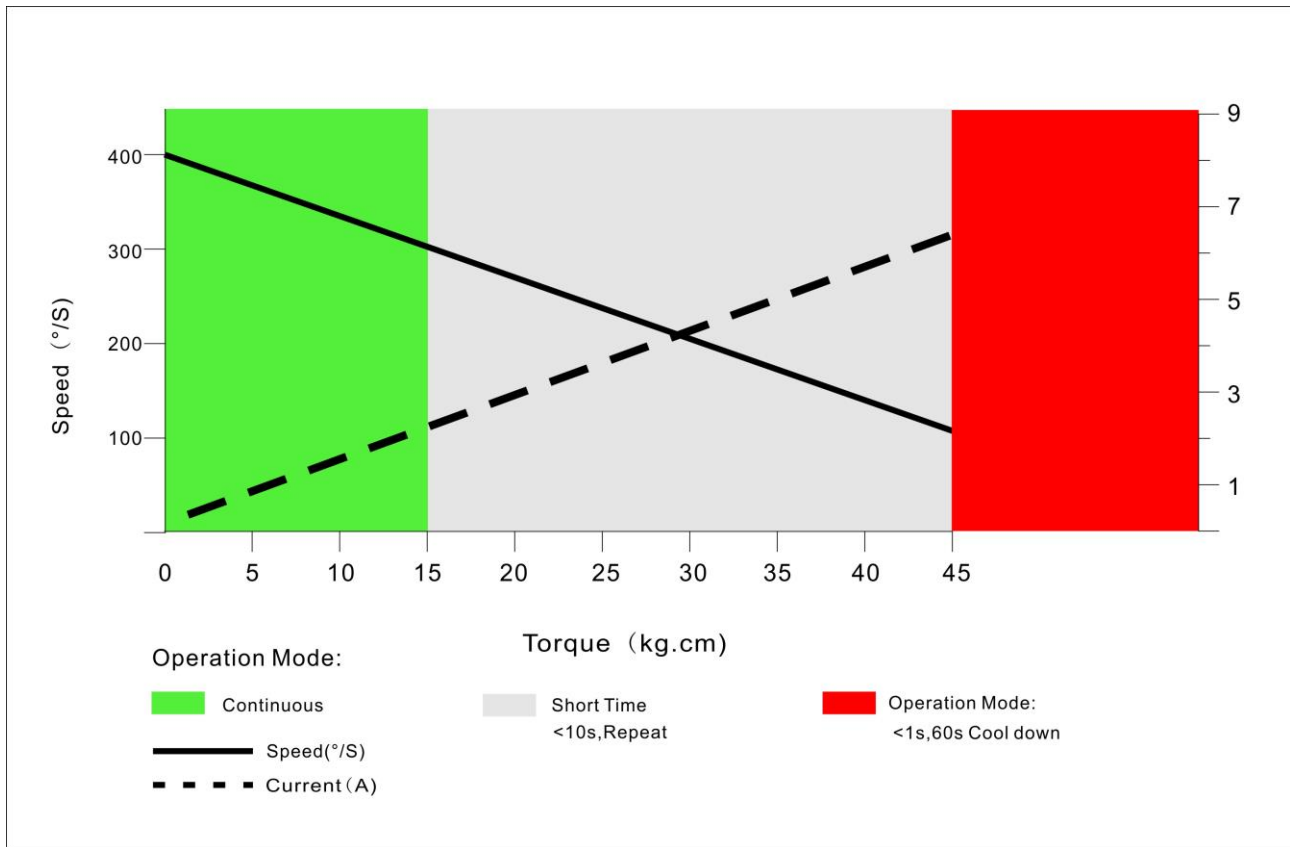


# Operating Data

	<b>A20-4515</b>
<b>Operation Voltage(rated)</b>	DC7.4V
<b>Operation Voltage Range</b>	DC6.0V-8.4V
<b>Torque</b>	36Kg.cm@6.0V
	45Kg.cm@7.4V
	50Kg.cm@8.4V
<b>Speed</b>	0.19sec/60 °@6.0V
	0.15sec /60 °@7.4V
	0.13sec /60 °@8.4V
<b>Travel Angle</b>	± 50° when 1000-2000us
<b>Operating Temperature Range</b>	-20°C ·····+65°C

## Performance

A20-4515 @ 7.4V



# PWM Command Signal

PWM	A20-4515
Signal Voltage	TTL-Level: HIGH:min.3.3V,max.5.0V TTL-Level: Low:min.0.0V,max.1.5V
Pulse Lengths	900-2100us
Pulse Lengths for Position $-50^{\circ}$ /center/ $+50^{\circ}$	1000us/1500us/2000us
Resolution	<2us

## Materials and protective features

Case Material	Aluminum Alloy
Motor Type	Brushless
Gear Set Material	Hardened Steel
Position Sensor	Potentionmeter
Position Feedback	Optional
Shielded Connecting Cable	22AWG

## Dimensions

Case Dimensions	40.5*20*42mm
Weight	80g